

GREENLEE HYPERION SERIES

LAMP TYPE: Standard or Ceramic Metal Halide

HOUSING: One-piece, heavy-walled, extruded aluminum, .322" thick for vandal resistance.

CROWN ASSEMBLY: Flat or domed, heavy cast aluminum. For added security against vandals, crown attaches to lower housing with four captive, concealed 1/4" x 20 Allen-head screws.

LENS: One-piece, heavy-walled borosilicate lens is recessed .764" and protected by three cast ribs for vandal resistance. Exposed portion of the lens is only .671" tall.

OPTICS: Patented OptX™ optical assembly uses Constructive Occlusion™ technology. A precisely positioned clear lamp in a Cavity and Fan™ assembly projects radiant energy into selective zones. Proprietary coating on the cavity is 96% reflective.

BALLAST: High Power Factor, multi-tap ballast designed for -20°F operation is standard. Universal electronic ballast for 120-277V, 50 or 60 HZ operation is available.

LAMPHOLDER: Matched to lamp. Glazed porcelain, medium base, 4KV pulse rated with spring center contact.

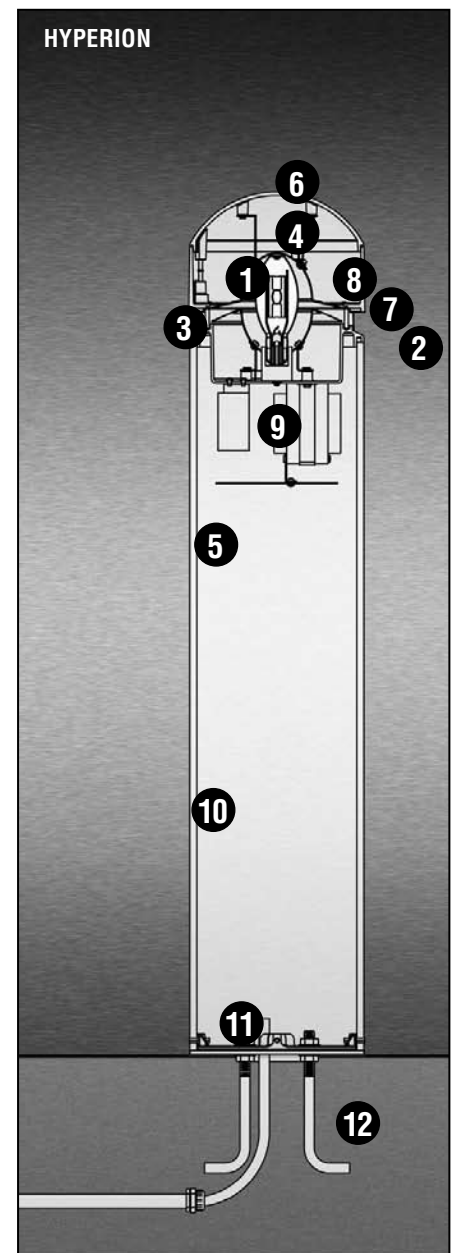
ANCHOR BOLTS: Anchor bolts are 3/8" x 10" heavy-duty galvanized steel. Four (4) are furnished.

FINISH: Available in metallic silver, satin verde green, black, bronze, white, and buff.

EXTRA VALUE FEATURES:

- Unique OptX™ optical assembly
- Tailored, uniform distribution over greater distances.
- Increased spacing between luminaires
- Vandal Resistant Aperture
- Heavy Duty Construction
- Premium Materials

Bollards are subjected to extreme environments – from severe weather to pedestrian wear-and-tear, and senseless vandalism. The Hyperion Bollard Series was designed with this harsh reality in mind, and that's why its materials are of the highest quality, ruggedly durable, and feature superior vandal resistant construction.



- 1 OPTICS** – OptX optics are the heart of this luminaire. A clear lamp is precisely positioned in a highly engineered, and patented, Cavity and Fan assembly that functions like an integrating sphere. Known as Constructive Occlusion technology, this sphere uses a proprietary internal coating that realizes 96% reflectance. The lamp's radiant energy is distributed by this finely tuned, reflective surface to desired zones.
- 2 VANDAL RESISTANT APERTURE** – Hyperion features the narrowest aperture of any bollard on the market, a mere 1.167" wide, which gives the luminaire a sleek and elegant appearance while minimizing the target area available to vandals.
- 3 VANDAL RESISTANT LENS** – The one-piece, heavy-walled borosilicate lens is recessed a full .764" and protected by three cast ribs. The exposed portion of the lens is only .671" tall. These design features and premium materials provide superior vandal resistance.
- 4 LAMPS** – Standard and Ceramic Metal Halide
- 5 HEAVY-WALL HOUSING** – One-piece, heavy-wall extruded aluminum, .322" thick for vandal resistance.
- 6 CROWN** – Flat or domed heavy-wall cast aluminum. One-piece castings provide for greater impact strength.
- 7 CONCEALED ACCESS** – Added security against vandals, crown attaches to lower housing with four captive, concealed 1/4" x 20 Allen-head screws.
- 8 SEALING AND GASKETS** – Silicone gaskets and seals ensure Hyperion is as dependable as it is rugged.
- 9 BALLASTS** – Standard ballast is high power factor, designed for -20° operation. Universal electronic ballast available.
- 10 FINISHES** – Metallic Silver, Satin Verde Green, Black, Bronze, White or Platinum Plus polyester powder coating.
- 11 MOUNTING BASE** – Extra thick, 1/2" cast aluminum (chromate converted and powder coat finished in black standard).
- 12 ANCHOR BOLTS** – 3/8" x 10" heavy-duty galvanized steel; four (4) furnished.



GREENLEE HYPERION SERIES

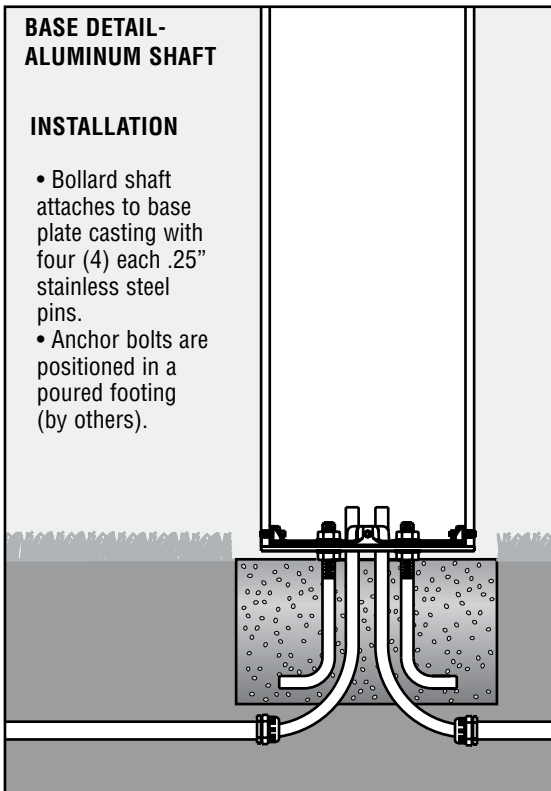
Series	Wattage/Lamp Type	Voltage	Optics	Finish	Top	Height ³	Options	
HYPR	50, 70, 100 MH E-17 Medium Base Metal Halide Quartz Arc Tube	MT – Multi-Tap ¹ 120, 208, 240, 277	OptX [®]	MSV – Metallic Silver SVG – Satin Verde Green BUF – Buff WHT – White BLK – Black BRZ – Bronze GPT – Graphite	FT – Flat Top DT – Dome Top	H42	PC120 – 120 Volt Photocell PCHV – 208- 277V Photocell PC347 – 347V Photocell GFR – Ground-Fault Receptacle LPC - BLK Lens Protector casting painted black LL - Less Lamp LAB - Less Anchor Bolts	
	50, 70, 100 CMH/Med E-17 Medium Base Metal Halide Ceramic Arc Tube	TT – Tri-Tap 120, 277, 347, 480 ²						UE – Universal Electronic 120-277 V 50 or 60 HZ
	39, 70 CMH/T6 T-6 Ceramic Metal Halide with G12 Bi-pin base							
Accessories								
HSS - House Side Shield ⁴								
HYPR 100MH MT OptX[®] MSV FT H42 PC120								

FOOTNOTES

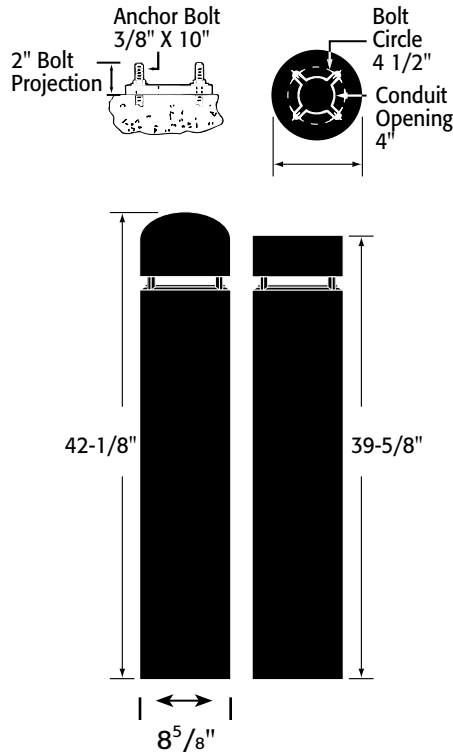
1. Multi-tap wired for highest voltage. Alternate voltages will require rewiring in the field.
2. 480 volt Magnetic Ballast is available for 70 and 100 Watt Metal Halide only.
3. Nominal standard height if 42". Non-Standard heights are available in 6" increments. Minimum height is 18"
4. House Side Shield provides 180o shielding. Maximum fixture rating with HSS is 70 watts. HSS is NOT available for 100 watt fixtures.

HYPERION BOLLARDS

All Hyperion Bollards are shipped with lamps installed and 38" leads to facilitate wiring.



DIMENSIONS



FINISHES

Each Hyperion Bollard has a tough polyester powder coat finish, which is guaranteed for two years and is available in six standard colors: metallic silver, satin verde green, black, bronze, white, graphite, and buff.



F1 LAMP



GE Consumer & Industrial
Lighting

Commercial Products & Solutions

 [SITE SEARCH](#)
[HOME](#)[PRODUCTS](#)[EDUCATION / RESOURCES](#)[LIGHTING APPLICATIONS](#)
[Where to Buy](#) | [FAQs](#) | [Contact Us](#) | [EliteNet](#)

92588 – CMH70/TD/942RX7S

GE ConstantColor® PulseArc® CMH® Showbiz® Ceramic Metal Halide T6



GENERAL CHARACTERISTICS

Lamp type	High Intensity Discharge - Ceramic Metal Halide
Bulb	T6
Base	Rx7s
Wattage	70
Rated Life	15000 hrs
Bulb Material	Quartz
Lamp Enclosure Type (LET)	Enclosed fixtures only
Additional Info	UV control

PHOTOMETRIC CHARACTERISTICS

Initial Lumens	7000
Mean Lumens	5600
Nominal Initial Lumens per Watt	100
Color Temperature	4200 K
Color Rendering Index (CRI)	88

ELECTRICAL CHARACTERISTICS

Burn Position	Horizontal to ±45 degrees
Warm Up Time to 90% (MIN)	2 min
Warm Up Time to 90% (MAX)	5 min
Hot Restart Time to 90% (MIN)	10 min
Hot Restart Time to 90% (MAX)	15 min

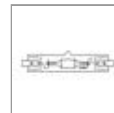
DIMENSIONS

Maximum Overall Length (MOL)	4.5000 in (114.3 mm)
Bulb Diameter (DIA)	0.750 in (19.0 mm)
Light Center Length (LCL)	2.250 in (57.1 mm)

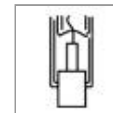
PRODUCT INFORMATION

Product Code	92588
Description	CMH70/TD/942RX7S
ANSI Code	M139/M85/M98
Standard Package	Case

Bulb



Base


[View Larger](#)

ADDITIONAL RESOURCES

Catalogs

Testimonials

Brochures

Product Brochures

- [Ceramic Metal Halide](#)
- [HID Lamps](#)

Application/Segment Brochures

- [Contractor Lighting](#)

MSDS (Material Safety Data Sheets)

Disposal Policies & Recycling Information

Standard Package GTIN	10043168925881
Standard Package Quantity	12
Sales Unit	Unit
No Of Items Per Sales Unit	1
No Of Items Per Standard Package	12
UPC	043168925884

COMPATIBLE GE BALLASTS

Product Code	Description	# of Bulbs	Power Factor	Ballast Factor
87531	GEMH70-MSF-120	1	99.0	1.0
87546	GEMH70-SLJ-MV	1	99.0	1.0
86847	M70MLTLC3M500K	1	90.0	1.0
86576	11210277CTC000C		90.0	1.0
86578	11210506CTC000C	1	90.0	1.0
86839	M7048TLC3M500K	1	90.0	1.0

⚠ CAUTIONS & WARNINGS

R- WARNING: This lamp can cause serious skin burn and eye inflammation from shortwave ultraviolet radiation if outer envelope of the lamp is broken or punctured, and the arc tube continues to operate. Do not use where people will remain for more than a few minutes unless adequate shielding or other safety precautions are used. Certain types of lamps that will automatically extinguish when the outer envelope is broken or punctured are commercially available. Visit the FDA website for more information: <http://www.fda.gov/cdrh/radhith/urburns.html>

[See list of cautions & warnings.](#)

[Return To Top](#)

[Home](#) | [Products](#) | [EliteNet](#) | [Education/Resources](#) | [Lighting Applications](#) | [Where to Buy](#) | [FAQs](#) | [Contact Us](#) | [Site Map](#)
[Products for Your Home](#) | [Press Room](#) | [Corporate](#) | [Investor Information](#) | [Privacy Policy](#) | [Accessibility Statement](#) | [Terms of Use](#)

Copyright General Electric Company 1997-2007

F1 BALLAST



GE Consumer & Industrial
Lighting

Commercial Products & Solutions

 [SITE SEARCH](#)
[HOME](#)[PRODUCTS](#)[EDUCATION / RESOURCES](#)[LIGHTING APPLICATIONS](#)
[Where to Buy](#) | [FAQs](#) | [Contact Us](#) | [EliteNet](#)
87546 – GEMH70-SLJ-MV

GE HID UltraMax™ Electronic Low Frequency Ballast

**GENERAL CHARACTERISTICS**

Category	High Intensity Discharge
Ballast Type	Electronic - Low Frequency
Line Voltage Regulation (+/-)	10 %
Ambient Temperature (MAX)	55 °C (131 °F)
Case Temperature (MAX)	90 °C (194 °F)
Ballast Factor	Normal
Sound Rating	A (20-24 decibels)
Enclosure Type	Metal
Distance to Lamp (MAX)	8 ft
Additional Info	End of Life Protection (EOL), Thermally protected

[View Larger](#)**ELECTRICAL CHARACTERISTICS**

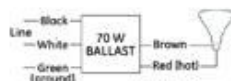
Lamp Operating Frequency	130 Hz
--------------------------	--------

PRODUCT INFORMATION

Product Code	87546
Description	GEMH70-SLJ-MV
Standard Package	Case
Standard Package GTIN	10043168875469
Standard Package Quantity	10
Sales Unit	Case
No Of Items Per Sales Unit	1
No Of Items Per Standard Package	10
UPC	043168875462

DIMENSIONS

Weight	0.38 lbs		
Exit Type	Bottom Leads with Studs		
Remote mounting distance to lamp	8 ft		
Remote Mounting Wire Gauge	18 AWG		
Lead lengths	Qty	Exit	Length (± 1 in.)
Black	1	Left	10 in (254 mm)
Brown	1	Right	10 in (254 mm)
Red	1	Right	10 in (254 mm)
White	1	Left	10 in (254 mm)

[View Larger](#)**SPECIFICATIONS BY LAMP & LINE VOLTAGE**

Lamp	# of Lamps	Specifications by Line Voltage		
M98 (70 W Ceramic Metal Halide)	1		120	277
		System Wattage (W)	77	77
		Nominal Current	0.66 A	0.3 A

(70 W Quartz Metal Halide)	Ballast Factor	1	1
	Ballast Efficiency Factor	0.91	0.91
	Drop Out Voltage	96 V	96 V
	Power factor (>=) %	99	97
	Crest factor (<)	1.4	1.4
	THD % (<)	4.9	7.7
	Min. starting temperature	0 °F (-18 °C)	0 °F (-18 °C)
	Fuse rating	3	3
		System specs	System specs
M143	1	120	277
(70 W Ceramic Metal Halide)	System Wattage (W)	77	77
	Nominal Current	0.66 A	0.3 A
	Ballast Factor	1	1
	Ballast Efficiency Factor	0.91	0.91
	Drop Out Voltage	96 V	96 V
	Power factor (>=) %	99	97
	Crest factor (<)	1.4	1.4
	THD % (<)	4.9	7.7
	Min. starting temperature	0 °F (-18 °C)	0 °F (-18 °C)
Fuse rating	3	3	
	System specs	System specs	
C143	1	120	277
	System Wattage (W)	77	77
	Nominal Current	0.66 A	0.3 A
	Ballast Factor	1	1
	Ballast Efficiency Factor	0.91	
	Drop Out Voltage	96 V	96 V
	Power factor (>=) %	99	97
	Crest factor (<)	1.4	1.4
	THD % (<)	4.9	7.7
	Min. starting temperature	0 °F (-18 °C)	0 °F (-18 °C)
Fuse rating	3	3	

Safety & Performance

RoHs Compliant



UL Type 1 Outdoor

ANSI - C62.41

UL 1029 Listed

FCC - CLASS A Non-Consumer

cUL Listed

WARRANTY INFORMATION

GE Lighting warrants to the purchaser that each ballast will be free from defects in material or workmanship for period as defined in the attached documents from the date of manufacture when properly installed and under normal conditions of use.

[Download full warranty](#)

NOTES

- 200C rated lead wires
- Do not connect brown or red wires to ground

ADDITIONAL RESOURCES

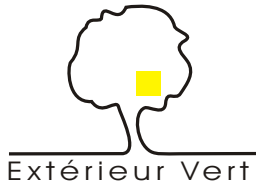
[Catalogs](#)

[Testimonials](#)

[Disposal Policies & Recycling Information](#)

[Return To Top](#)

Photos are representational only. Sizes, shapes and labels of ballast may vary.



RECESSED PROJECTOR
 Fixed reflector :
 narrow spot, flood or asymmetrical
 Fluorescent lamp T2
 11W / 120 /277V

M2 SERIES



MERCURE

Projector body

- Drive over rated
- Waterproof IP67
- Available in anodized black cast aluminum.
- Integral electronic ballast.
- 3.5 Metric tons / 7600 Lbs.



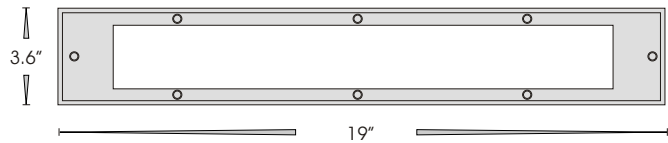
Lamp / Optics

- Fluorescent lamp T2 11W /120/277V
- Lamp holder W4,3 .
- Choice of 3 fixed reflectors:
- Symetrical Spot reflector
- Symetrical Flood reflector
- Asymetrical reflector



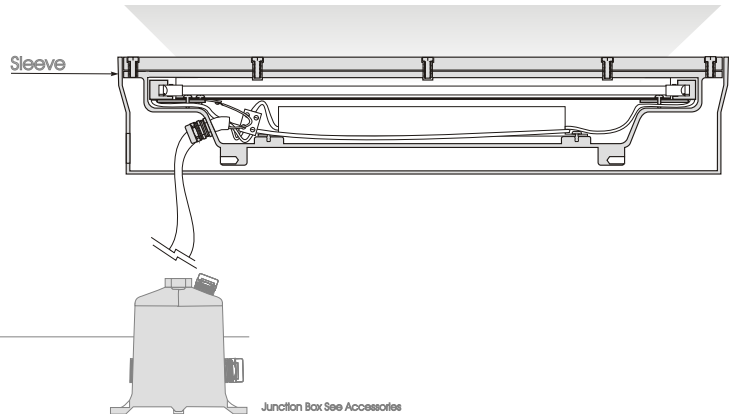
Trim

- Black anodised cast aluminium.
- Heat treated glass.
- 8 stainless steel securing screws.



Rough-In Components

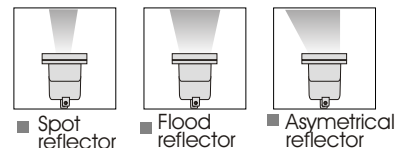
- Fixture is pre-wired with 2ft of SJ00W cord.
- Sleeve is ordered separately (see accessories).
- Installation Recommendations
- In all potentially wet/damp locations, a waterproof junction box must be used.
- Provisions for effective drainage are necessary.



Applications

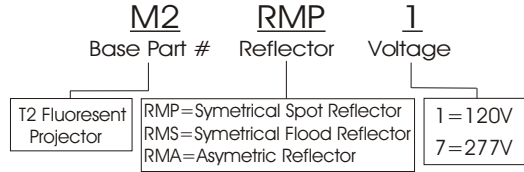
- Public spaces
- Walkways
- Commercial facilities

J-Box Access Hole



MERCURE

■ Part # Logic

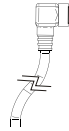


■ Select Rough In Kit

Part # Logic

ME-M2 / EV-JB1B-1/2 / QD

Sleeve (req'd) Jbox Quick Disconnect



Sleeve (Required)

Jbox / Quick Disconnect (Optional)

Part #	Description
ME-M2	Aluminum

Part #	Description
EV-JB1B-1/2	2x1/2" NPT holes on bottom
EV-JB1A-1/2	2x1/2" NPT holes on sides/across
EV-JB1O	Other hole configuration (specify)

Accessories

■ Options & Accessories



Part #	Description
QD	Quick Disconnect with Anti-Wicking Barrier 4' Cord

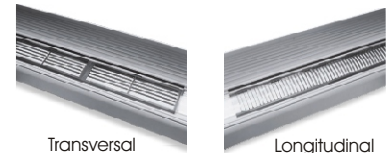
■ Filters



Color	Part #
Blue	B387
Green	G387
Red	R387
Yellow	Y387
Frosted	F387

*387mm

■ Louvers



Part #	Description
MER-LOL	Longitudinal Louver/Black
MER-LOT	Transversal Louver/Black
LFL0000T2011020	Lamp 3000° K
LFL0000T2011040	Lamp 4100° K



Product description: FM 11W/760 W4,3 UNV1
 EAN/ Product : 4050300579979
 Quantity: Unpacked (UNV) contains 1 Piece (PC)

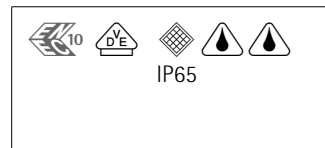
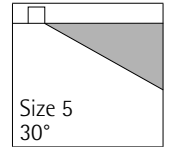
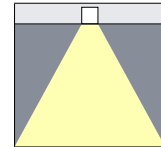
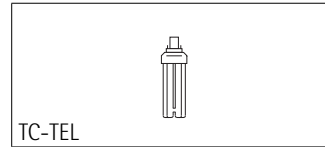
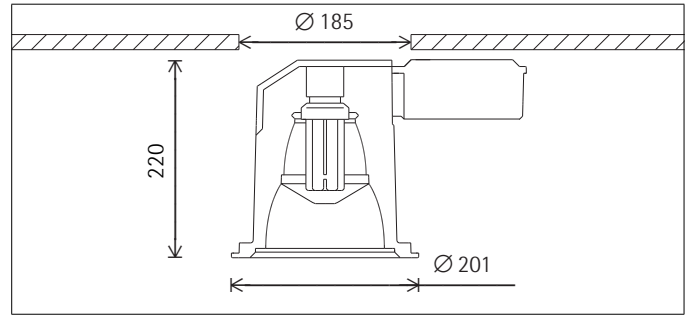
You can find this product in the eCatalog:

http://catalog.myosram.com?~language=EN&~country=&it_p=4050300579979

General Description				
Base	W4.3			
Energy label	B			
ILCOS	FDH-11/60/2A-L/P-W4,3			
Recycling (WEEE)	yes			
Technical - Electrical Data				
Luminous Efficacy in lm/W	52 lm/W			
Rated wattage in Watts	11 W			
Technical - Light Technical Data				
Luminous output in lumen	570 lm			
Technical - Colors				
Colour appearance	LUMILUX Daylight			
Colour rendering group	2A			
Colour rendering index (Ra)	Min. 70 Max. 79			
Colour temperature in Kelvin	6000 K			
Technical - Geometries				
Length in mm	421.6 mm			
Tube diameter in mm	7 mm			
Technical - Life				
Average lamp life in hours	8000 h ¹⁾			
Economic life in hours	6000 h ²⁾			
Packaging units				
EAN	Packaging type and content	Dimensions in h x w x l	Gross weight	Volume
4050300579979	Unpacked contains 1 Piece	0,000 mm x 0,000 mm x 0,000 mm	0,000 kg (0,019 kg)	0,000 Cubic dec.
4050300579986	Shipping carton box contains 20 Piece	40,000 mm x 103,000 mm x 439,000 mm	0,456 kg (0,380 kg)	1,809 Cubic dec.

¹⁾ with preheat ECG

²⁾ with preheat ECG



81029.000 Reflector silver
TC-TEL 18W GX24q-2 1200lm
ECG

Product description

Housing: cast aluminium, silver powder-coated. Mounting with 3-point support and screw-tightening. Side-mounted control gear: plastic, black.

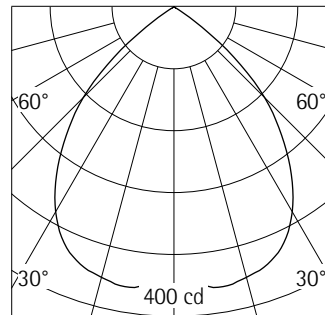
Electronic control gear. 2 cable entries. Through-wiring possible. 5-pole terminal block.

Darklight reflector: aluminium, bright anodised. Cut-off angle 30°. Diffuser as lamp cover: plastic, translucent.

Screw-fastened cover ring with safety glass: corrosion-resistant, cast aluminium, No-rinse surface treatment. Silver double powder-coated. To be removed together with Darklight reflector for lamp replacement.

Protection mode IP65: dust-proof and water-jet proof.

Weight 2.40kg



TC-TEL 18W GX24q-2 1200lm

h(m)	E(lx)	D(m)
		87°
1	359	1.90
2	90	3.80
3	40	5.69
4	22	7.59
5	14	9.49

Planning data

Cleaning (a)	1				2				3			
	P	C	N	D	P	C	N	D	P	C	N	D
Ambient conditions												
LMF	0.98	0.94	0.90	0.86	0.95	0.91	0.86	0.81	0.94	0.90	0.84	0.79
RSMF	0.99	0.98	0.96	0.95	0.97	0.96	0.95	0.94	0.97	0.96	0.95	0.94

Hours of operation (h)	2000	6000	10000	1000	4000	8000
LLMF	0.92	0.85	0.83	0.97	0.88	0.83
LSF	1	1	1	1	1	1

- MF LMFxRSMFxLLMFxLSF
- MF Maintainance Factor
- LMF Luminaire Maintenance Factor
- RSMF Room Surface Maintenance Factor
- LLMF Lamp Lumens Maintenance Factor
- LSF Lamp Survival Factor
- P Room pure
- C Room clean
- N Room normal
- D Room dirty

F4 LAMP



GE Consumer & Industrial
Lighting

Commercial Products & Solutions

 [SITE SEARCH](#)
[HOME](#)[PRODUCTS](#)[EDUCATION / RESOURCES](#)[LIGHTING APPLICATIONS](#)
[Where to Buy](#) | [FAQs](#) | [Contact Us](#) | [EliteNet](#)

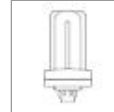
34385 – F18TBX/SPX41/A/4

GE Ecolux® Biax® T4 - Facilities; Retail Display; Hospitality; Office; Restaurant; Warehouse



High Color Rendering
Energy Savings

Bulb



Base

[View Larger](#)

GENERAL CHARACTERISTICS

Lamp type	Compact Fluorescent - Plug-In
Bulb	T4
Base	GX24q-2
Wattage	18
Voltage	120/100
Rated Life	12000 hrs
Starting Temperature (MIN)	0 °C (32 °F)
Cathode Resistance	6.050 Ohm
Additional Info	Dimmable with appropriate dimming ballast., End of Life Protection (EOL), TCLP compliant
Primary Application	Facilities; Retail Display; Hospitality; Office; Restaurant; Warehouse

ADDITIONAL RESOURCES

Catalogs

Testimonials

Brochures

Product Brochures

- [Ecolux](#)
- [Ecolux \(Environmental\)](#)

Sell Sheets

- [Fast Warming](#)

[Disposal Policies & Recycling Information](#)

PHOTOMETRIC CHARACTERISTICS

Initial Lumens	1200
Mean Lumens	1020
Nominal Initial Lumens per Watt	66
Color Temperature	4100 K
Color Rendering Index (CRI)	82

ELECTRICAL CHARACTERISTICS

Current (max)	5.2500 A
Open Circuit Voltage (after preheating) (MAX)	250 V
Open Circuit Voltage (after preheating) Min @ Temperature	550 V @ 10 °C, 550 V @ 15 °C
Open Circuit Voltage Across Starter (MIN)	198 V
Lamp Current	0.225 A
Preheat Voltage (MIN)	4 V
Current Crest Factor (MAX)	1.7
Supply Current Frequency	60 Hz

DIMENSIONS

Maximum Overall Length (MOL)	4.8000 in (121.9 mm)
Nominal Length	4.800 in (121.9 mm)
Base Face to Top of Lamp	4.250 in (107.9 mm)

PRODUCT INFORMATION

Product Code	34385
Description	F18TBX/SPX41/A/4
ANSI Code	60901-IEC-3418-1
Standard Package	Case
Standard Package GTIN	10043168343852
Standard Package Quantity	10
Sales Unit	Unit
No Of Items Per Sales Unit	1
No Of Items Per Standard Package	10
UPC	043168343855

COMPATIBLE GE BALLASTS

Product Code	Description	# of Bulbs	Power Factor	Ballast Factor
80675	C218UNVBEIP	1	95.0	1.05
80677	C218UNVBES-IP	1	95.0	1.05
80679	C218UNVSE-IP	1	95.0	1.05

⚠ CAUTIONS & WARNINGS

[See list of cautions & warnings.](#)

NOTES

- 4-Pin lamp minimum starting temperature is a function of the ballast. Most ballasts are rated with a minimum starting temperature of 50 degrees F (10 C). Ballasts are also available that provide reliable starting to 0 degrees F (-18C) and -20 F (-29C).
- Amalgam product experience stable brightness over a wider temperature range and in various operating positions.
- Based on 60Hz reference circuit.
- Fluorescent lamp lumens decline during life

[Return To Top](#)



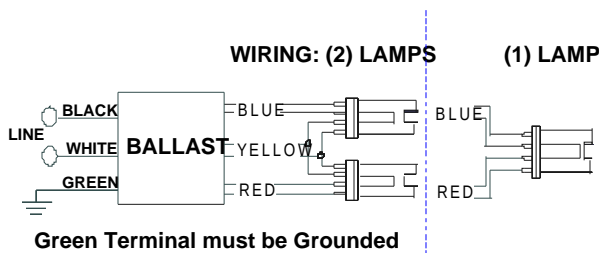
ICF-2S18-H1-LD@277

Brand Name	SMARTMATE
Ballast Type	Electronic
Starting Method	Programmed Start
Lamp Connection	Series
Input Voltage	120-277
Input Frequency	50/60 HZ
Status	Active

Electrical Specifications

Lamp Type	Num. of Lamps	Rated Lamp Watts	Min. Start Temp (°F/C)	Input Current (Amps)	Input Power (ANSI Watts)	Ballast Factor	MAX THD %	Power Factor	MAX Lamp Current Crest Factor	B.E.F.
CFM18W/GX24Q	1	18	0/-18	0.08	20	1.05	10	0.97	1.5	5.25
* CFM18W/GX24q	2	18	0/-18	0.14	39	1.05	10	0.99	1.5	2.69
CFQ18W/G24q	1	18	0/-18	0.07	19	1.00	10	0.97	1.5	5.26
CFQ18W/G24q	2	18	0/-18	0.13	35	0.95	10	0.99	1.5	2.71
CFS16W/GR10q	2	16	0/-18	0.13	37	1.00	09	0.99	1.5	2.70
CFS21W/GR10Q	1	21	0/-18	0.07	20	0.90	15	0.97	1.5	4.50
CFS21W/GR10Q	2	21	0/-18	0.14	40	0.91	10	0.99	1.5	2.28

Wiring Diagram

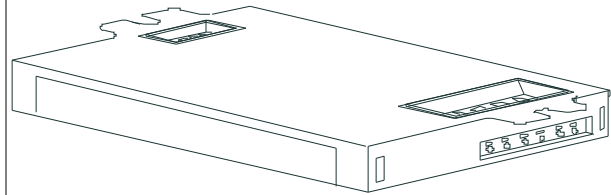


The wiring diagram that appears above is for the lamp type denoted by the asterisk (*)

Standard Lead Length (inches)

	in.	cm.		in.	cm.
Black	0.0		Yellow/Blue		
White	0.0		Blue/White		
Blue	0.0		Brown		
Red	0.0		Orange		
Yellow	0		Orange/Black		
Gray			Black/White		
Violet			Red/White		

Enclosure



Enclosure Dimensions

OverAll (L)	Width (W)	Height (H)	Mounting (M)
4.98 "	2.4 "	1.0 "	4.6 "
4 49/50	2 2/5	1	4 3/5
12.6 cm	6.1 cm	2.5 cm	11.7 cm

Revised 08/15/2006



Data is based upon tests performed by Advance Transformer in a controlled environment and representative of relative performance. Actual performance can vary depending on operating conditions. Specifications are subject to change without notice. All specifications are nominal unless otherwise noted.

ADVANCE

O'HARE INTERNATIONAL CENTER · 10275 WEST HIGGINS ROAD · ROSEMONT, IL 60018

Customer Support/Technical Service: Phone: 800-372-3331 · Fax: 630-307-3071

Corporate Offices: Phone: 800-322-2086



ICF-2S18-H1-LD@277	
Brand Name	SMARTMATE
Ballast Type	Electronic
Starting Method	Programmed Start
Lamp Connection	Series
Input Voltage	120-277
Input Frequency	50/60 HZ
Status	Active

Electrical Specifications

Notes:

Section I - Physical Characteristics

- 1.1 Ballast shall be physically interchangeable with standard electromagnetic or standard electronic ballasts, where applicable.
- 1.2 Ballast shall be available in a plastic/metal can or all metal can construction to meet all plenum requirements.
- 1.3 Ballast shall be provided with poke-in wire trap connectors color coded per ANSI C82.11.

Section II - Performance Requirements

- 2.1 Ballast shall be Programmed Start except for ballasts with -QS suffix, which shall be Rapid Start.
- 2.2 Ballast shall contain auto restart circuitry in order to restart lamps without resetting power.
- 2.3 Ballast shall operate from 50/60 Hz input source of 120V through 277V with sustained variations of +/- 10% (voltage and frequency) with no damage to the IntelliVolt ballast. RCF models shall operate from 60 Hz input source of 120V with sustained variations of +/- 10% (voltage and frequency) with no damage to the ballast.
- 2.4 Ballast shall be high frequency electronic type and operate lamps at a frequency above 42 kHz to avoid interference with infrared devices and eliminate visible flicker.
- 2.5 Ballast shall have a Power Factor greater than 0.98 for primary lamp.
- 2.6 Ballast shall have a minimum ballast factor of 1.00 for primary lamp application.
- 2.7 Ballast shall provide for a Lamp Current Crest Factor of 1.7 or less in accordance with lamp manufacturer recommendations.
- 2.8 Ballast input current shall have Total Harmonic Distortion (THD) of less than 10% when operated at nominal line voltage with primary lamp.
- 2.9 Ballast shall have a Class A sound rating.
- 2.10 Ballast shall have a minimum starting temperature of -18C (0F) for primary lamp. Ballasts for PL-H lamps shall have a minimum starting temperature of -30C (-20F) for primary lamp.
- 2.11 Ballast shall provide Lamp EOL Protection Circuit.
- 2.12 Ballast shall tolerate sustained open circuit and short circuit output conditions without damage.

Section III - Regulatory Requirements

- 3.1 Ballast shall not contain any Polychlorinated Biphenyl (PCB).
- 3.2 Ballast shall be Underwriters Laboratories (UL) listed, Class P and Type 1 Outdoor; and Canadian Standards Association (CSA) certified where applicable.
- 3.3 Ballast shall be Underwriters Laboratories (UL) rated for use in air-handling spaces.
- 3.4 Ballast shall comply with ANSI C62.41 Category A for Transient protection.
- 3.5 Ballast shall comply with ANSI C82.11 where applicable.
- 3.6 Ballast shall comply with the requirements of the Federal Communications Commission (FCC) rules and regulations, Title 47 CFR part 18, Non-Consumer (Class A) for EMI/RFI (conducted and radiated) except for RCF models which shall be Consumer (Class B).

Section IV - Other

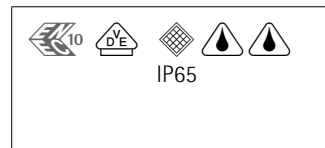
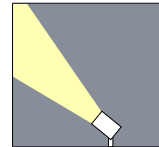
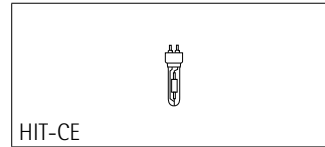
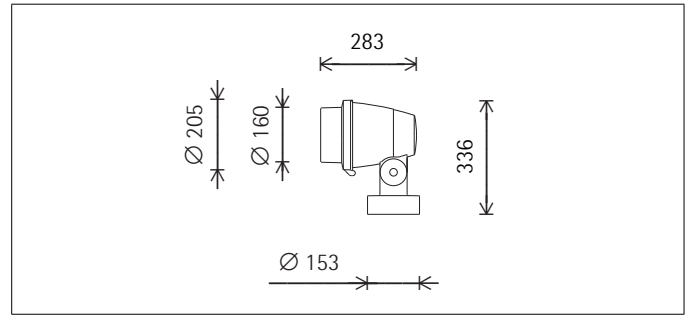
- 4.1 Ballast shall be manufactured in a factory certified to ISO 9002 Quality System Standards.
- 4.2 Ballast shall carry a five-year warranty from date of manufacture against defects in material or workmanship, including replacement, for operation at a maximum case temperature of 75C and three-years for a maximum case temperature of 85C (90C 3year warranty for ICF1H120-M4-XX, ICF2S42-90C-M2-XX and ICF2S70-M4-XX models).
- 4.3 Manufacturer shall have a fifteen-year history of producing electronic ballasts for the North American market.
- 4.4 Ballast shall be Advance part # _____ or approved equal.

Revised 08/15/2006



Data is based upon tests performed by Advance Transformer in a controlled environment and representative of relative performance. Actual performance can vary depending on operating conditions. Specifications are subject to change without notice. All specifications are nominal unless otherwise noted.

ADVANCE TRANSFORMER CO.
 O'HARE INTERNATIONAL CENTER - 10275 WEST HIGGINS ROAD
 ROSEMONT, ILLINOIS 60018
 TELEPHONE: (847) 390-5000 FAX: (847) 390-5109



34004.000 Graphit m
HIT-CE 35W G12 3300lm

Product description

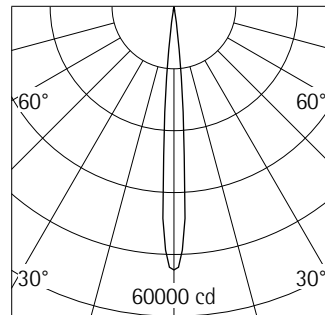
Housing, hinge and mounting plate: corrosion-resistant cast aluminium, No-Rinse surface treatment. Double powder-coated. Optimised surface for reduced accumulation of dirt. Hinge with internal wiring, 130° tilt. Graduated disc: corrosion-resistant aluminium. Mounting plate rotatable through 240°.

Control gear with temperature controller, timer-ignitor, capacitor. 2 cable entries. Through-wiring possible. 3-pole terminal block.

Spot reflector: aluminium, silver anodised, mirror-finish. Screw-fastened snoot with safety glass: corrosion-resistant cast aluminium, double powder-coated.

Cross-baffle: metal, black lacquered. Cut-off angle 50°. Without spill light. Protection mode IP65: dust-proof and water jet-proof.

Weight 7.00kg
Maximum wind load area 0.06m²



HIT-CE 35W G12 3300lm

h(m)	E(lx)	D(m)
		9°
2	12753	0.31
4	3188	0.63
6	1417	0.94
8	797	1.26
10	510	1.57

Planning data

Cleaning (a)	1				2				3			
	P	C	N	D	P	C	N	D	P	C	N	D
Ambient conditions												
LMF	0.98	0.94	0.90	0.86	0.95	0.91	0.86	0.81	0.94	0.90	0.84	0.79
RSMF	0.99	0.98	0.96	0.95	0.97	0.96	0.95	0.94	0.97	0.96	0.95	0.94

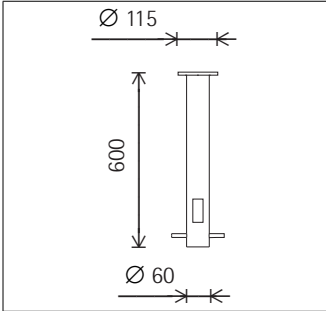
Hours of operation (h)	1000	2000	4000	6000	8000	10000	12000
LLMF	0.89	0.84	0.81	0.79	0.77	0.76	0.75
LSF	1	1	1	1	1	1	1

- MF LMFxRSMFxLLMFxLSF
- MF Maintainance Factor
- LMF Lumiaire Maintenance Factor
- RSMF Room Surface Maintenance Factor
- LLMF Lamp Lumens Maintenance Factor
- LSF Lamp Survival Factor
- P Room pure
- C Room clean
- N Room normal
- D Room dirty

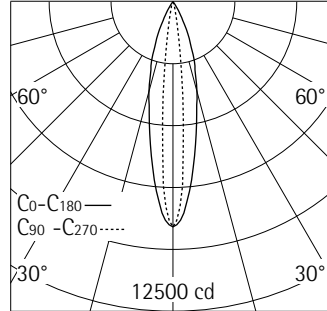
Accessories



33974.000
Ground socket
Metal, hot-dip galvanised.
Cable entry.

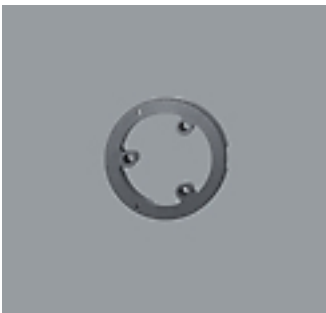


74473.000
Sculpture lens
Only in conjunction with:
74403.000

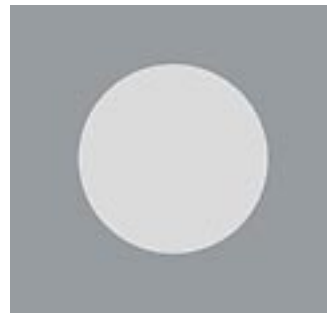


HIT-CE 35W G12 3300lm

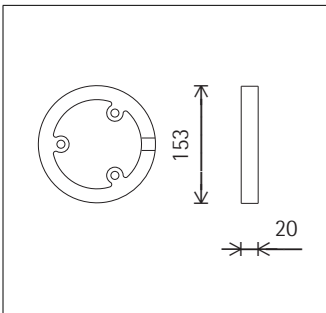
h(m)	E(lx)	D(m)	
		C0	C90
		24°	10°
2	2273	0.85	0.35
4	568	1.70	0.70
6	253	2.55	1.05
8	142	3.40	1.40
10	91	4.25	1.75



34991.000
Spacer
for cables mounted on top of
plaster.
Corrosion-resistant cast aluminium, No-Rinse surface treatment.
Graphit m double powder-coated.
Weight 0.23kg



74438.000
Softec lens
Only in conjunction with:
74403.000



74403.000
Fixing ring
For 2 filters or lenses.
Aluminium, black powder-coated.



74471.000
Skintone filter
Only in conjunction with:
74403.000



74468.000
Daylight conversion filter
Only in conjunction with:
74403.000



74459.000
Interference colour filter
Magenta
Only in conjunction with:
74403.000

Accessories



74460.000
Interference colour filter
Amber
Only in conjunction with:
74403.000



74461.000
Interference colour filter
Sky blue
Only in conjunction with:
74403.000



74462.000
Interference colour filter
Night blue
Only in conjunction with:
74403.000

F5 LAMP



GE Consumer & Industrial
Lighting

Commercial Products & Solutions

 [SITE SEARCH](#)
[HOME](#)[PRODUCTS](#)[EDUCATION / RESOURCES](#)[LIGHTING APPLICATIONS](#)
[Where to Buy](#) | [FAQs](#) | [Contact Us](#) | [EliteNet](#)

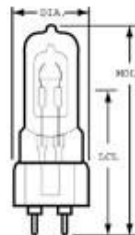
38696 – CMH35/T/UVC/U/830/G12

GE PulseArc® Showbiz® Ceramic Metal Halide T6 - Stage & Studio



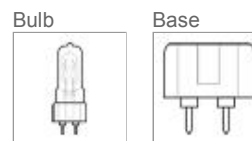
GENERAL CHARACTERISTICS

Lamp type	High Intensity Discharge - Ceramic Metal Halide
Bulb	T6
Base	Bi-Pin (G12)
Wattage	35
Rated Life (Vert)	10000 hrs
Primary Application	Stage & Studio



PHOTOMETRIC CHARACTERISTICS

Initial Lumens	3400
Nominal Initial Lumens per Watt	97
Color Temperature	3000 K


[View Larger](#)

ELECTRICAL CHARACTERISTICS

Burn Position	Universal burning position
---------------	----------------------------

DIMENSIONS

Light Center Length (LCL)	2.170 in (55.1 mm)
---------------------------	--------------------

PRODUCT INFORMATION

Product Code	38696
Description	CMH35/T/UVC/U/830/G12
ANSI Code	No CMH35 ANSI code
Standard Package Quantity	12
Sales Unit	Unit

CAUTIONS & WARNINGS

[See list of cautions & warnings.](#)

NOTES

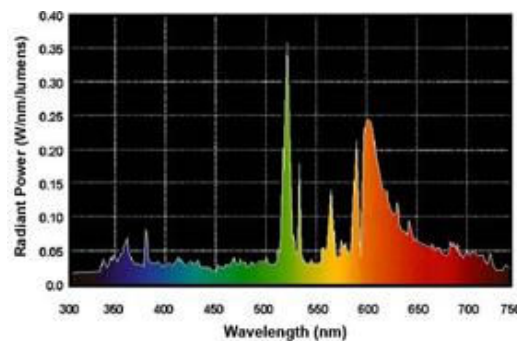
- Enclosed fixture only, per UL Standard 1572. In accordance to Federal Regulations 21 CFR 1040.30 the following notice applies: WARNING: This lamp can cause serious skin burn and eye inflammation from shortwave ultraviolet radiation if the outer envelope of the lamp is broken or punctured, and the arc tube continues to operate. Do not use where people will remain more than a few minutes unless adequate shielding or other safety precautions are used. Certain types of lamp that will automatically extinguish when

ADDITIONAL RESOURCES

[Catalogs](#)
[Testimonials](#)
[MSDS \(Material Safety Data Sheets\)](#)
[Disposal Policies & Recycling Information](#)

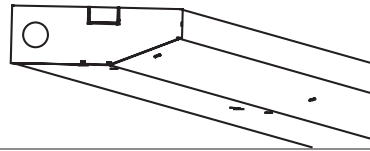
GRAPHS & CHARTS

Spectral Power Distribution





In-Cove LP



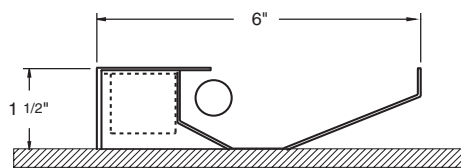
Cove mount
1 T5HO
Asymmetric
2808H01

- Exceptional forward-throw distribution allows close mounting to ceiling with excellent uniformity.
- Virtually eliminates the socket shadows found when using traditional strip lights.
- Inter-locking modules allow for fast easy installation.
- Factory pre-wired with quick-wire connectors.
- Ultra slim profile for small coves.
- Adjustable mounting positions allow beam pattern to be coordinated with architecture.

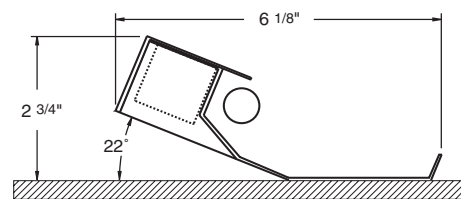
Order Number Guide

280 <i>Series</i> In-Cove LP	8 <i>Type</i> Wall mount Indirect	H01 <i>Lamps</i> 1 T5HO	E <i>Lower Optics</i> E - None	N <i>Upper Optics</i> N - Standard	Length 02 - 2ft* 03 - 3ft* 04 - 4ft* 06 - 6ft* 08 - 8ft*	Wiring Options 1 - 1cct 3 - 1cct w/ Emergency cct 5 - 1cct w/ Battery Pack 7 - 1cct w/ Dimming* 8 - 1cct w/ Thru Wire	Voltage 1 - 120V 2 - 277V 3 - 347V* X - Custom	E <i>Ballast</i> Electronic	W <i>Finish</i> W - Standard White
						Consult factory for complete list of standard wiring options.	* Consult factory for availability		

Cross Section



Position A

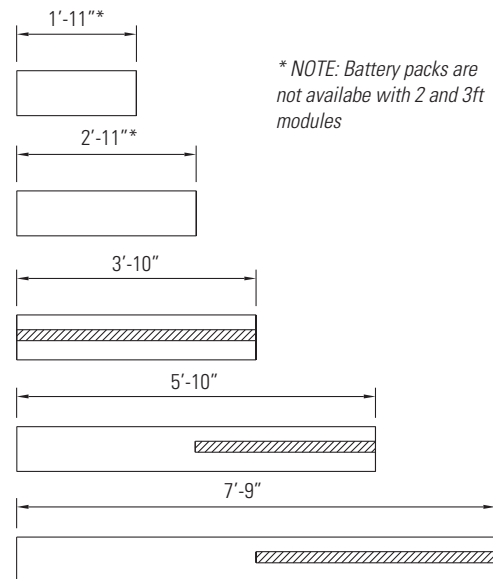


Position B

Weight 2.7 lb/ft

Modules

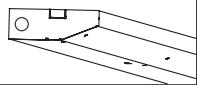
Linear runs are made by combining 2, 3, 4, 6 or 8ft modules



Indicates location of:
 - Optional emergency modules (controls all lamps) OR
 - Optional battery pack (standard controls one lamp only)

Indicates:
 - Module length / Mounting distance
 *Module length does not include endcaps

L0018 Rev. 6



Photometry

Specifications

Housing
Die-formed 24 gauge metal painted white.
Note: NYC version available. Please consult factory.

Optical System
Constructed of highly specular aluminum and highly reflective 24 gauge metal to produce an asymmetric distribution.

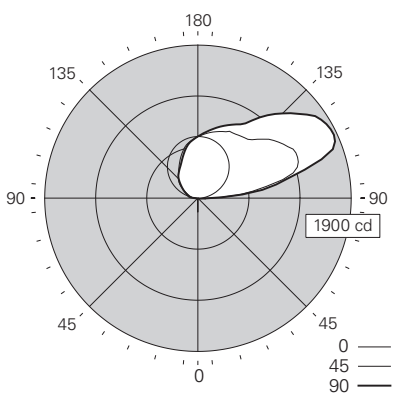
Joints
Integral with each module. Luminaire shall have an alignment tab to allow sections to be easily configured, saving installation time.

Electrical
All luminaires shall be factory pre-wired to section ends with quick-wire connectors.

Ballast
Electronic.

Approvals
Certified to UL & CSA standards.

Due to continuing product improvements, Ledalite reserves the right to change specifications without notice.



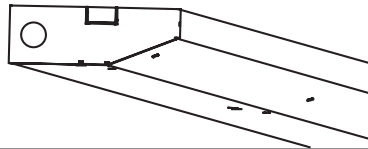
Report# 2101131
Efficiency 80.4%
Peak Candela Value 1858 @ 115°
Peak: Zenith Ratio 2.4:1
RP-1 Compliant

CANDELA DISTRIBUTION						
Vert. Angle	Horizontal Angle					Zonal Lumens
	0	45	90	135	180	
0	0	0	0	0	0	
5	0	0	0	0	0	0
15	0	0	0	0	0	0
25	0	0	0	0	0	0
35	0	0	0	0	0	0
45	0	0	0	0	0	0
55	0	0	0	0	0	0
65	0	0	0	0	0	0
75	0	0	0	0	0	0
85	0	0	0	0	0	0
90	97	75	4	2	2	
95	555	504	39	54	40	234
105	1369	1214	164	106	120	572
115	1858	1331	303	168	166	690
125	1773	1212	431	264	236	643
135	1485	1034	539	347	328	547
145	1178	934	628	423	403	437
155	1005	914	695	530	480	332
165	905	853	740	652	609	212
175	808	795	762	732	723	73
180	764	764	764	764	764	

COEFFICIENTS OF UTILIZATION (%)													
Ceiling	80				70				50				0
	70	50	30	10	70	50	30	10	50	30	10	0	
Wall													
RCR													
0	77	77	77	77	65	65	65	65	44	44	44	0	
1	70	66	63	61	59	57	54	54	39	37	36	0	
2	63	58	53	49	54	49	46	46	34	31	30	0	
3	58	51	45	41	49	43	39	39	30	27	25	0	
4	52	44	39	34	44	38	33	33	26	23	21	0	
5	48	39	33	29	41	34	29	29	23	20	18	0	
6	44	35	29	25	37	30	25	25	21	17	15	0	
7	40	31	25	21	34	27	22	22	18	15	13	0	
8	37	28	22	18	32	24	19	19	16	13	11	0	
9	34	25	20	16	29	22	17	17	15	12	10	0	
10	32	23	18	14	27	20	15	15	14	11	9	0	

Based on a floor reflectance of 0.2

Note : IES photometric files available for download at www.ledalite.com



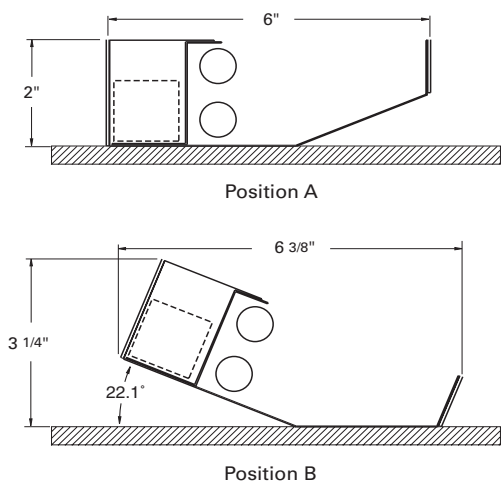
Cove mount
2 T5HO
Asymmetric
2808H02

- Exceptional forward-throw distribution allows close mounting to ceiling with excellent uniformity.
- Virtually eliminates the socket shadows found when using traditional strip lights.
- Inter-locking modules allow for fast easy installation.
- Factory pre-wired with quick-wire connectors.
- Ultra slim profile for small coves.
- Adjustable mounting positions allow beam pattern to be coordinated with architecture.

Order Number Guide

280	8	H02	E	N	---	---	---	E	W
<i>Series</i> In-Cove LP	<i>Type</i> Wall mount Indirect	<i>Lamps</i> 2 T5HO	<i>Lower Optics</i> E - None	<i>Upper Optics</i> N - Standard	<i>Length</i> 02 - 2ft 03 - 3ft 04 - 4ft 06 - 6ft 08 - 8ft	<i>Wiring Options</i> 1 - 1cct 2 - 2 cct 3 - 1cct w/ Emergency cct 4 - 2cct w/ Emergency cct 5 - 1cct w/ Battery Pack 6 - 2cct w/ Battery Pack 7 - 1cct w/ Dimming* 8 - 1cct w/ Thru Wire 9 - 2cct w/ Thru Wire Consult factory for complete list of standard wiring options	<i>Voltage</i> 1 - 120V 2 - 277V 3 - 347V* X - Custom * Consult factory for availability	<i>Ballast</i> Electronic	<i>Finish</i> W - Standard White

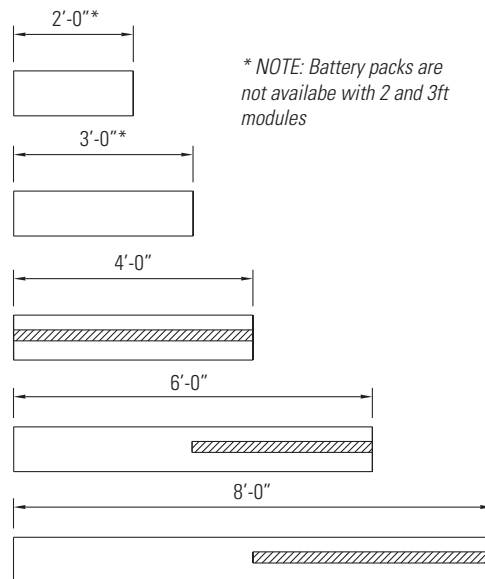
Cross Section



Weight 2.7 lb/ft

Modules

Linear runs are made by combining 2, 3, 4, 6 or 8ft modules

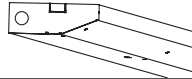


Indicates location of:
 - Optional emergency modules (controls all lamps) OR
 - Optional battery pack (standard controls one lamp only)

Indicates:
 - Module length / Mounting distance
 *Module length does not include endcaps

L0018 Rev. 6





Photometry

Specifications

Housing

Die-formed 24 gauge metal painted white.
Note: NYC version available. Please consult factory.

Optical System

Constructed of highly specular aluminum and highly reflective 24 gauge metal to produce an asymmetric distribution.

Joints

Integral with each module. Luminaire shall have an alignment tab to allow sections to be easily configured, saving installation time.

Electrical

All luminaires shall be factory pre-wired to section ends with quick-wire connectors.

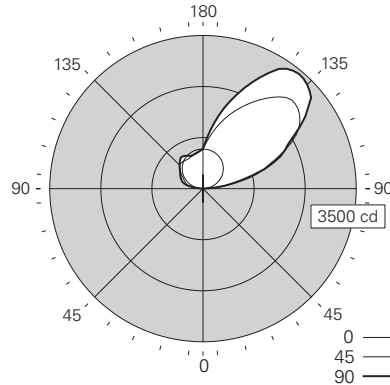
Ballast

Electronic.

Approvals

Certified to UL & CSA standards.

Due to continuing product improvements, Ledalite reserves the right to change specifications without notice.



Report# 2101274
Efficiency 71.1%
Peak Candela Value 3413 @ 140°
Peak: Zenith Ratio 3.8:1
RP-1 Compliant

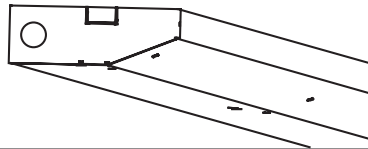
CANDELA DISTRIBUTION						
Vert. Angle	Horizontal Angle					Zonal Lumens
	0	45	90	135	180	
0	0	0	0	0	0	
5	0	0	0	0	0	0
15	0	0	0	0	0	0
25	0	0	0	0	0	0
35	0	0	0	0	0	0
45	0	0	0	0	0	0
55	0	0	0	0	0	0
65	0	0	0	0	0	0
75	0	0	0	0	0	0
85	0	0	0	0	0	0
90	11	18	7	9	6	
95	306	342	78	150	142	237
105	1184	1276	246	382	445	753
115	2064	2069	403	475	550	1106
125	2847	2704	543	604	630	1275
135	3361	2862	663	747	746	1219
145	3336	2511	759	760	867	969
155	2678	2034	830	754	825	630
165	1910	1548	876	802	799	330
175	1175	1075	899	863	852	96
180	900	900	900	900	900	

COEFFICIENTS OF UTILIZATION (%)													
Ceiling	80				70				50				0
	70	50	30	10	70	50	30	10	50	30	10	0	
Wall													
RCR													
0	67	67	67	67	57	57	57	57	39	39	39	0	
1	61	58	56	53	52	50	48	34	33	32	0		
2	56	51	47	43	47	43	40	30	28	26	0		
3	51	44	40	36	43	38	34	26	24	22	0		
4	46	39	34	30	39	34	29	23	20	18	0		
5	42	35	29	25	36	30	25	20	18	15	0		
6	39	31	25	22	33	26	22	18	15	13	0		
7	35	27	22	19	30	24	19	16	13	11	0		
8	33	25	20	16	28	21	17	14	12	10	0		
9	30	22	17	14	26	19	15	13	10	9	0		
10	28	20	15	12	24	17	13	12	9	7	0		

Based on a floor reflectance of 0.2

Note : IES photometric files available for download at www.ledalite.com





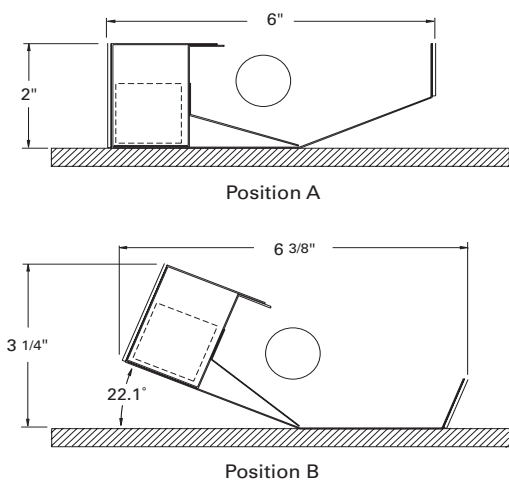
Cove mount
1 T8
Asymmetric
2808T01

- Exceptional forward-throw distribution allows close mounting to ceiling with excellent uniformity.
- Virtually eliminates the socket shadows found when using traditional strip lights.
- Inter-locking modules allow for fast easy installation.
- Factory pre-wired with quick-wire connectors.
- Ultra slim profile for small coves.
- Adjustable mounting positions allow beam pattern to be coordinated with architecture.

Order Number Guide

280 <i>Series</i> In-Cove LP	8 <i>Type</i> Wall mount Indirect	T01 <i>Lamps</i> 1 T8	E <i>Lower Optics</i> E - None	N <i>Upper Optics</i> N - Standard	Length 02 - 2ft 03 - 3ft 04 - 4ft 06 - 6ft 08 - 8ft	Wiring Options 1 - 1cct 3 - 1cct w/ Emergency cct 5 - 1cct w/ Battery Pack 7 - 1cct w/ Dimming* 8 - 1cct w/ Thru Wire	Voltage 1 - 120V 2 - 277V 3 - 347V* X - Custom	E <i>Ballast</i> Electronic	W <i>Finish</i> W - Standard White
						Consult factory for complete list of standard wiring options	* Consult factory for availability		

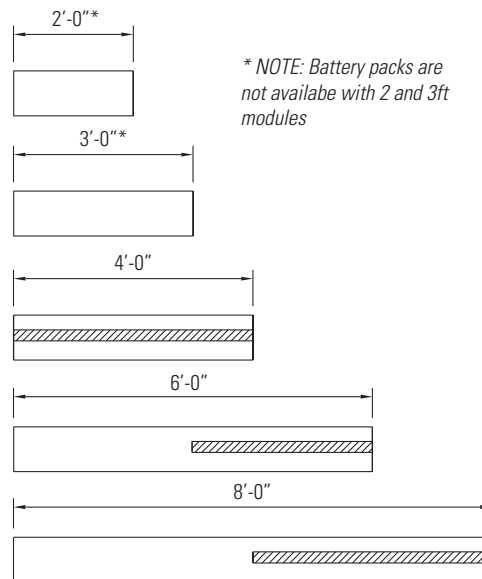
Cross Section



Weight 2.7 lb/ft

Modules

Linear runs are made by combining 2, 3, 4, 6 or 8ft modules

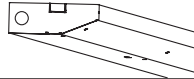


Indicates location of:
 - Optional emergency modules (controls all lamps) OR
 - Optional battery pack (standard controls one lamp only)

Indicates:
 - Module length / Mounting distance
 *Module length does not include endcaps

L0018 Rev. 6





Photometry

Specifications

Housing

Die-formed 24 gauge metal painted white.
Note: NYC version available. Please consult factory.

Optical System

Constructed of highly specular aluminum and highly reflective 24 gauge metal to produce an asymmetric distribution.

Joints

Integral with each module. Luminaire shall have an alignment tab to allow sections to be easily configured, saving installation time.

Electrical

All luminaires shall be factory pre-wired to section ends with quick-wire connectors.

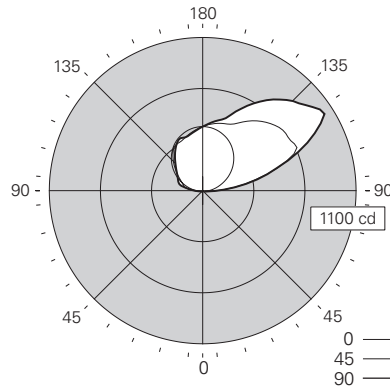
Ballast

Electronic.

Approvals

Certified to UL & CSA standards.

Due to continuing product improvements, Ledalite reserves the right to change specifications without notice.



Report# 2101275
Efficiency 74.9%
Peak Candela Value 1030 @ 122.5°
Peak: Zenith Ratio 2.2:1
RP-1 Compliant

CANDELA DISTRIBUTION						
Vert. Angle	Horizontal Angle					Zonal Lumens
	0	45	90	135	180	
0	0	0	0	0	0	
5	0	0	0	0	0	0
15	0	0	0	0	0	0
25	0	0	0	0	0	0
35	0	0	0	0	0	0
45	0	0	0	0	0	0
55	0	0	0	0	0	0
65	0	0	0	0	0	0
75	0	0	0	0	0	0
85	0	0	0	0	0	0
90	24	22	2	3	1	
95	153	153	28	48	46	93
105	477	472	97	134	157	271
115	825	742	172	166	193	386
125	1021	724	247	221	222	408
135	912	685	314	292	272	362
145	796	616	371	363	341	298
155	652	532	416	388	406	217
165	532	504	446	414	409	131
175	485	479	461	447	442	46
180	463	463	463	463	463	

COEFFICIENTS OF UTILIZATION (%)												
Ceiling	80				70			50			0	
	70	50	30	10	70	50	30	50	30	10	0	
Wall												
RCR												
0	71	71	71	71	61	61	61	41	41	41	0	
1	65	62	59	56	55	53	50	36	35	33	0	
2	59	54	49	46	50	46	42	31	29	27	0	
3	53	47	42	38	45	40	36	27	25	23	0	
4	49	41	36	32	41	35	31	24	21	19	0	
5	44	36	31	27	38	31	27	21	19	16	0	
6	41	32	27	23	35	28	23	19	16	14	0	
7	37	29	24	20	32	25	20	17	14	12	0	
8	34	26	21	17	29	22	18	15	12	10	0	
9	32	23	18	15	27	20	16	14	11	9	0	
10	30	21	16	13	25	18	14	13	10	8	0	

Based on a floor reflectance of 0.2

Note : IES photometric files available for download at www.ledalite.com



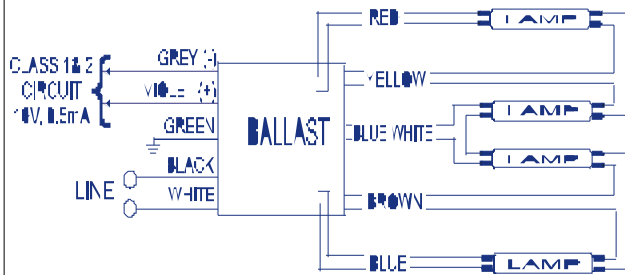


VZT-4S32-4	
Brand Name	MARK 7 0-10V
Ballast Type	Electronic Dimming
Starting Method	Programmed Start
Lamp Connection	Series
Input Voltage	277
Input Frequency	50/60 HZ
Status	Active

Electrical Specifications

Lamp Type	Num. of Lamps	Rated Lamp Watts	Min. Start Temp (°F/C)	Input Current (Amps)	Input Power (Watts) (min/max)	Ballast Factor (min/max)	MAX THD %	Power Factor	Lamp Current Crest Factor	B.E.F.
F17T8	4	17	50/10	0.25	18/69	0.05/0.88	10	0.99	1.6	1.28
F25T8	4	25	50/10	0.35	22/96	0.05/0.88	10	0.99	1.7	0.92
* F32T8	4	32	50/10	0.42	25/116	0.05/0.88	10	0.99	1.6	0.76

Wiring Diagram

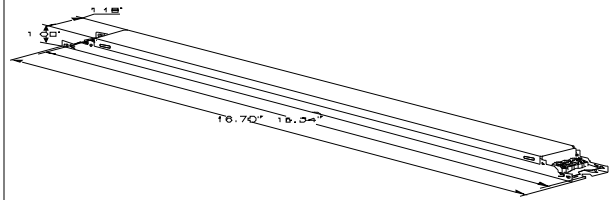


The wiring diagram that appears above is for the lamp type denoted by the asterisk (*)

Standard Lead Length (inches)

	in.	cm.		in.	cm.
Black	0	0	Yellow/Blue	0	0
White	0	0	Blue/White	0	0
Blue	0	0	Brown	0	0
Red	0	0	Orange	0	0
Yellow	0	0	Orange/Black	0	0
Gray	0	0	Black/White	0	0
Violet	0	0	Red/White	0	0

Enclosure



Enclosure Dimensions

OverAll (L)	Width (W)	Height (H)	Mounting (M)
16.70 "	1.18 "	1.00 "	16.34 "
16 7/10	1 9/50	1	16 17/50
42.4 cm	3 cm	2.5 cm	41.5 cm

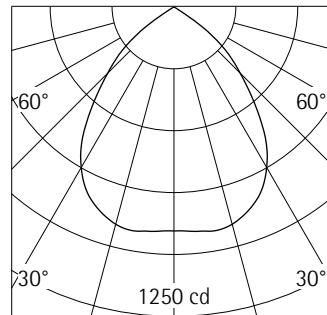
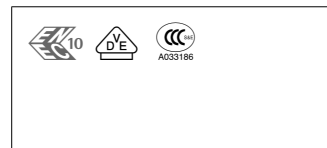
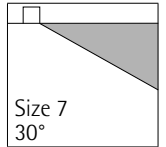
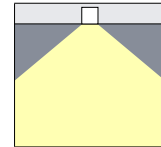
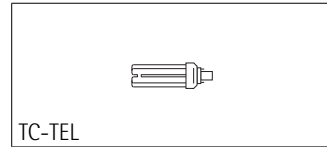
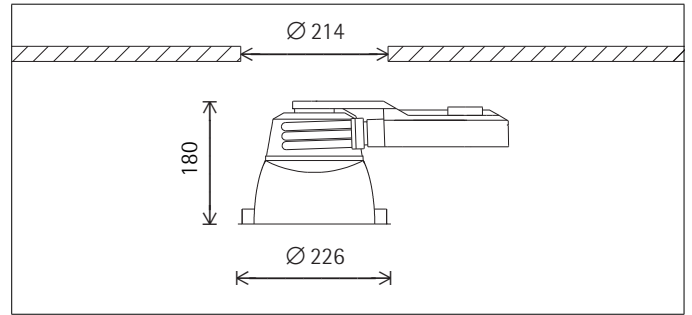
Revised 06/17/2003



Data is based upon tests performed by Advance Transformer in a controlled environment and representative of relative performance. Actual performance can vary depending on operating conditions. Specifications are subject to change without notice. All specifications are nominal unless otherwise noted.

ADVANCE

O'HARE INTERNATIONAL CENTER · 10275 WEST HIGGINS ROAD · ROSEMONT, IL 60018
 Customer Support/Technical Service: Phone: 800-372-3331 · Fax: 630-307-3071
 Corporate Offices: Phone: 800-322-2086



TC-TEL 32W GX24q-3 2400lm

LOR 0.64
 UGR 19.5
 65° < 200 cd/m²

22134.000 Reflector silver
 TC-TEL 32W GX24q-3 2400lm
 ECG 1-10V

Product description

Housing: cast aluminium, designed as heat sink.

Mounting ring: cast aluminium, white (RAL9002) powder-coated. Tools not required for mounting with 4-point support and screw fixing.

Junction box for through-wiring, 5-pole terminal block, integrated cable clamp. Electronic control gear.

Darklight reflector: aluminium, bright anodised. Cut-off angle 30°.

Diffuser as lamp cover: plastic, translucent, can be removed for lamp replacement without tools.

Weight 1.90kg

Planning data

22134.000 TC-TEL 32W GX24q-3 2400lm
 Connected load P: 35 W
 Connected load per 100lx P*: 2.3 W/m²
 Number of luminaires per 100lx n*: 6.4 1/100m²

22134.000 TC-TEL 32W GX24q-3 2400lm
 Number of luminaires per 100m² for
 100lx 200lx 300lx 500lx
 7 13 20 33

22134.000 TC-TEL 32W GX24q-3 2400lm
 Module (m) 1.2x1.8 1.8x1.8 1.8x2.4 2.4x2.4
 Illuminance E_n (lx) 719 480 360 270

Cleaning (a)	1				2				3			
	P	C	N	D	P	C	N	D	P	C	N	D
LMF	0.94	0.89	0.81	0.72	0.88	0.80	0.69	0.59	0.84	0.74	0.61	0.52
RSMF	0.99	0.98	0.96	0.95	0.97	0.96	0.95	0.94	0.97	0.96	0.95	0.94

Hours of operation (h)	2000	6000	10000	1000	4000	8000
LLMF	0.92	0.85	0.83	0.97	0.88	0.83
LSF	1	1	1	1	1	1

MF LMFxRSMFxLLMFxLSF
 MF Maintenance Factor
 LMF Luminaire Maintenance Factor
 RSMF Room Surface Maintenance Factor
 LLMF Lamp Lumens Maintenance Factor
 LSF Lamp Survival Factor
 P Room pure
 C Room clean
 N Room normal
 D Room dirty

Correction table

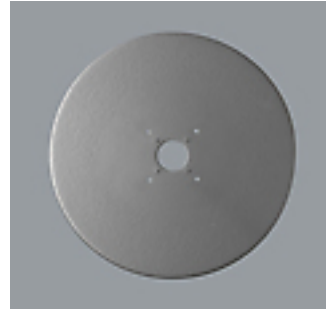
Ceiling	0.70	0.70	0.70	0.50	0
Wall	0.70	0.50	0.20	0.20	0
Floor	0.50	0.20	0.20	0.10	0

k	0.6	79	60	51	51	47
k	1.0	101	78	70	68	65
k	1.5	117	91	84	81	78
k	2.5	129	100	95	90	86
k	3.0	133	103	99	93	89

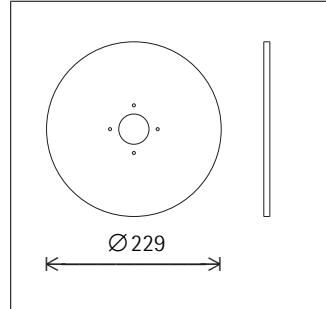
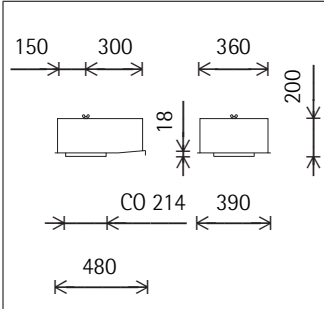
Accessories



83588.000
Concrete housing
Metal, powder-coated.
Recommended aggregate grain size
of the concrete is 0-8mm.
Weight 5.20kg



83813.000
Rosette
Plastic.
For flush-mounting of downlights
in concrete housings in exposed
concrete ceilings.
Only in conjunction with:
83588.000



83954.000
Plaster ring
Metal, white.
Height 20mm.



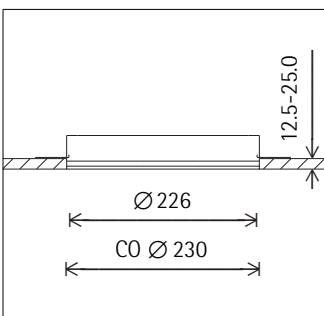
82950.000
Mounting plate for panelled
ceilings
Metal, white (RAL9002) pow-
der-coated. Individual design of
mounting plates according to
ceiling type and luminaire. Quote
ceiling type and dimensions.



83776.000
Mounting ring
Metal, white powder-coated. For
flush-mounting installation in
plasterboard ceilings.



82954.000
Mounting plate for panelled
ceilings
Metal, white (RAL9002) powder-
coated. Module 100 (85/15, 84/16).
For downlights with ceiling aper-
ture Ø 214mm.
Recessing dimension 287x287mm.



83980.000
Cover ring
Metal, white. For covering the gap
where ceiling cut-outs are too big.
Inner and outer diameter to be
specified when placing order.

F7 LAMP



GE Consumer & Industrial
Lighting

Commercial Products & Solutions

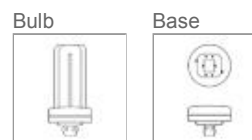
 [SITE SEARCH](#)
[HOME](#)[PRODUCTS](#)[EDUCATION / RESOURCES](#)[LIGHTING APPLICATIONS](#)
[Where to Buy](#) | [FAQs](#) | [Contact Us](#) | [EliteNet](#)

97630 – F32TBX/830/A/ECO

GE Ecolux® Biax® T4 - Facilities; Retail Display; Hospitality; Office; Restaurant; Warehouse



High Color Rendering
Energy Savings


[View Larger](#)

GENERAL CHARACTERISTICS

Lamp type	Compact Fluorescent - Plug-In
Bulb	T4
Base	GX24q-3
Wattage	32
Voltage	120/100
Rated Life	12000 hrs
Starting Temperature (MIN)	0 °C (32 °F)
Cathode Resistance	2.700 Ohm
Rated Life (rapid start) @ Time	12000 h @ 3 h 20000 h @ 12 h
Additional Info	Dimmable with appropriate dimming ballast., End of Life Protection (EOL), TCLP compliant
Primary Application	Facilities; Retail Display; Hospitality; Office; Restaurant; Warehouse

PHOTOMETRIC CHARACTERISTICS

Initial Lumens	2200
Mean Lumens	1850
Nominal Initial Lumens per Watt	68
Color Temperature	3000 K
Color Rendering Index (CRI)	82

ELECTRICAL CHARACTERISTICS

Current (max)	5.2500 A
Open Circuit Voltage (after preheating) (MAX)	265 V
Open Circuit Voltage (MIN)	515 V
Lamp Current	0.320 A
Preheat Voltage (MIN)	4 V
Current Crest Factor (MAX)	1.7
Supply Current Frequency	20000 Hz

ADDITIONAL RESOURCES

Catalogs

Testimonials

Brochures

Product Brochures

- [Ecolux](#)
- [Ecolux \(Environmental\)](#)

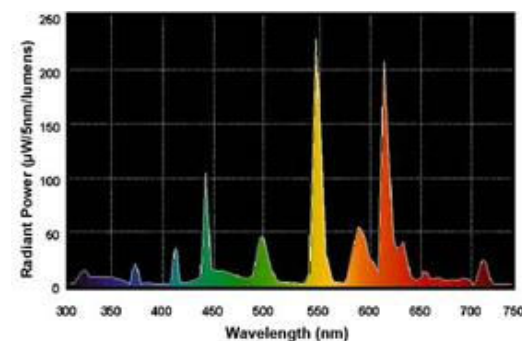
Sell Sheets

- [Fast Warming](#)
- [Biax® T/E 32W with Amalgam](#)

Disposal Policies & Recycling Information

GRAPHS & CHARTS

Spectral Power Distribution



DIMENSIONS

Maximum Overall Length (MOL)	5.5000 in (139.7 mm)
Nominal Length	5.500 in (139.7 mm)
Base Face to Top of Lamp	4.900 in (124.4 mm)

PRODUCT INFORMATION

Product Code	97630
Description	F32TBX/830/A/ECO
ANSI Code	60901-IEC-7432-2
Standard Package	Case
Standard Package GTIN	10043168976302
Standard Package Quantity	10
Sales Unit	Unit
No Of Items Per Sales Unit	1
No Of Items Per Standard Package	10
UPC	043168976305

COMPATIBLE GE BALLASTS

Product Code	Description	# of Bulbs	Power Factor	Ballast Factor
80689	C2642UNVSE-IP	1	98.0	1.0
47506	C242UNVBES-IP	2	98.0	1.0
80685	C2642UNVBE-IP	1	98.0	1.0
80687	C2642UNVBES-IP	1	98.0	1.0
47509	C242UNVSE-IP	2	98.0	1.0

⚠ CAUTIONS & WARNINGS

[See list of cautions & warnings.](#)

NOTES

- 4-Pin lamp minimum starting temperature is a function of the ballast. Most ballasts are rated with a minimum starting temperature of 50 degrees F (10 C). Ballasts are also available that provide reliable starting to 0 degrees F (-18C) and -20 F (-29C).
- Amalgam product experience stable brightness over a wider temperature range and in various operating positions.
- Based on 60Hz reference circuit.
- Fluorescent lamp lumens decline during life

[Return To Top](#)

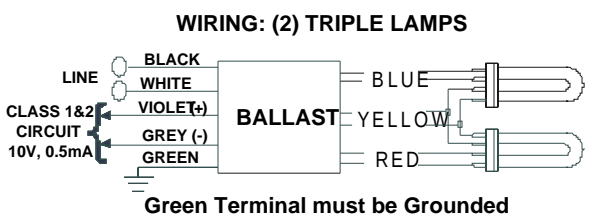


IZT-2T42-M3-BS@277	
Brand Name	MARK 7 0-10V
Ballast Type	Electronic Dimming
Starting Method	Programmed Start
Lamp Connection	Series
Input Voltage	120-277
Input Frequency	50/60 HZ
Status	Active

Electrical Specifications

Lamp Type	Num. of Lamps	Rated Lamp Watts	Min. Start Temp (°F/C)	Input Current (Amps)	Input Power (Watts) (min/max)	Ballast Factor (min/max)	MAX THD %	Power Factor	Lamp Current Crest Factor	B.E.F.
* CFM32W/GX24Q	2	32	50/10	0.27	19/75	0.05/1.00	10	0.98	1.4	1.33
CFM42W/GX24Q	2	42	50/10	0.35	18/96	0.05/1.00	10	0.99	1.4	1.04
CFTR57W/GX24Q	1	57	50/10	0.24	18/66	0.05/1.00	10	0.99	1.6	1.52
CFTR70W/GX24Q	1	70	50/10	0.29	18/80	0.05/1.00	10	0.99	1.6	1.25

Wiring Diagram

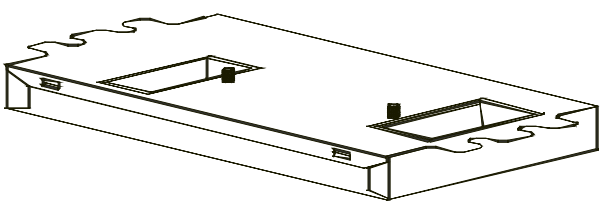


The wiring diagram that appears above is for the lamp type denoted by the asterisk (*)

Standard Lead Length (inches)

	in.	cm.		in.	cm.
Black	0	0	Yellow/Blue		0
White	0	0	Blue/White		0
Blue	0	0	Brown		0
Red	0	0	Orange		0
Yellow	0	0	Orange/Black		0
Gray	0	0	Black/White		0
Violet	0	0	Red/White		0

Enclosure



Enclosure Dimensions

OverAll (L)	Width (W)	Height (H)	Mounting (M)
6.28 "	3.00 "	1.29 "	2.00 "
6 7/25	3	1 29/100	2
16 cm	7.6 cm	3.3 cm	5.1 cm

Revised 08/27/2003



Data is based upon tests performed by Advance Transformer in a controlled environment and representative of relative performance. Actual performance can vary depending on operating conditions. Specifications are subject to change without notice. All specifications are nominal unless otherwise noted.

ADVANCE

O'HARE INTERNATIONAL CENTER · 10275 WEST HIGGINS ROAD · ROSEMONT, IL 60018
 Customer Support/Technical Service: Phone: 800-372-3331 · Fax: 630-307-3071
 Corporate Offices: Phone: 800-322-2086

SPECIFIER GUIDE



PRODUCT DESCRIPTION
PRODUCT CODE

DELINEATED STAIRNOSE

LITEFORM LF 5000

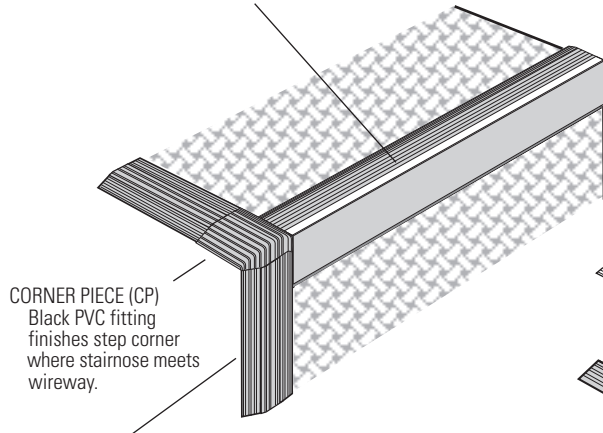
© COPYRIGHT 2004

DRAWING NO. CL 904

LF 5000 DELINEATED STAIRNOSE (UNLIGHTED)

Light grey edge on black stairnose provides added step definition when using LF 4000 Wall Light to illuminate steps. (Refer to LF 4000 Specifier Guide)

Soft vinyl stairnose withstands extreme loads and heavy foot traffic. Conforms to gradual curves and irregularities in flooring. ADA compliant design (No trip hazard)



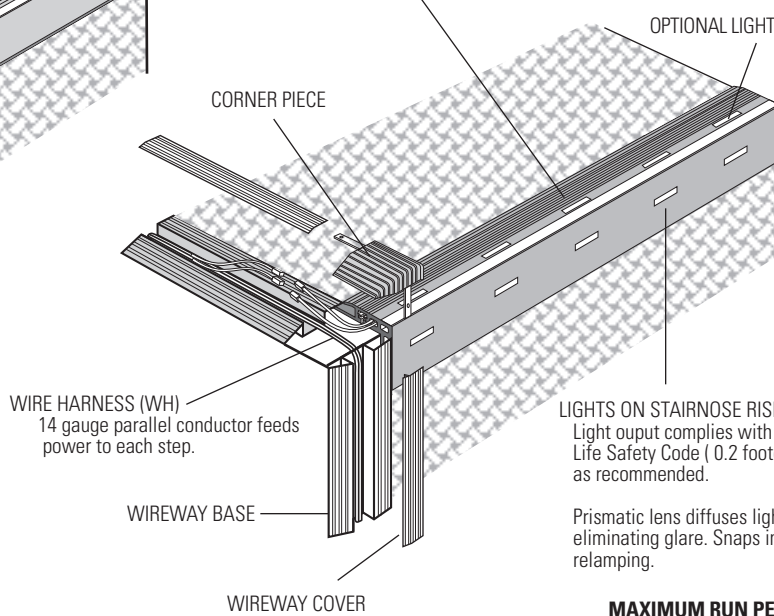
CORNER PIECE (CP)
Black PVC fitting finishes step corner where stairnose meets wireway.

WIREWAY (WW)
Black PVC fitting provides transition from carpet to floor or edge. Used as raceway for wire harness for lighted stairnose.

CELESTIAL LEDs & LAMPS ARE:

Safe (low voltage)
Energy efficient (low wattage)
Rated for long life.
Run at optimum brightness for darkened areas.
Resistant to vibration from foot traffic.
Individually replaceable.
Dimmable from primary side of transformer.

LF 5000 DELINEATED STAIRNOSE (LIGHTED)
For stairways without adjacent walls.



WIRE HARNESS (WH)
14 gauge parallel conductor feeds power to each step.

WIREWAY BASE

WIREWAY COVER

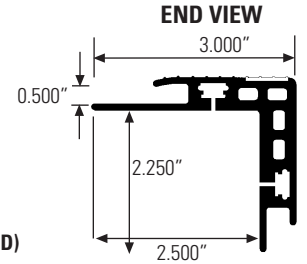
OPTIONAL LIGHTS ON STAIRNOSE TOP

LIGHTS ON STAIRNOSE RISER
Light output complies with requirements of NFPA's Life Safety Code (0.2 footcandles) when installed as recommended.

Prismatic lens diffuses light onto step while eliminating glare. Snaps in and out for easy relamping.

MAXIMUM RUN PER 5 AMP CIRCUIT:
200 LEDs or 150 LF1 lamps

See maximum run chart for details.



•DRAWING NOT TO SCALE•

SPECIFICATIONS

PRODUCT CODE	STAIRNOSE LIGHT		LED / LAMP		LED / LAMP SPACING	
			TYPE	DESCRIPTION		
LF 5000	NL	NO LIGHTS				
	RO	RISER ONLY	A	DC 9.5V 0.2W HIGH OUTPUT AMBER LED (100,000 HRS. RATED LIFE)	4	4" ON CENTER
			B	DC 9.5V 0.2W HIGH OUTPUT BLUE LED (25,000 HRS. RATED LIFE)	6	6" ON CENTER
			G	DC 9.5V 0.2W HIGH OUTPUT GREEN LED (25,000 HRS. RATED LIFE)		
			R	DC 9.5V 0.2W HIGH OUTPUT RED LED (100,000 HRS. RATED LIFE)		
			W	DC 9.5V 0.2W HIGH OUTPUT WHITE LED (25,000 HRS. RATED LIFE)		
			TR	TOP & RISER		
		LF 1	12 V 0.34 W INCANDESCENT LAMP (80,000 HRS. RATED LIFE)			

EXAMPLE

LF 5000	NL		
---------	----	--	--

FILL OUT BELOW FOR SUBMITTAL

LF 5000			
---------	--	--	--

PROJECT NAME	CONTRACTOR
FIXTURE SCHED. TYPE	DISTRIBUTOR
SPECIFIER	REPRESENTATIVE



visit us at :
www.celestiallighting.com
e-mail :
info@celestiallighting.com

14009 Dinard Ave.
Santa Fe Springs,
CA 90670

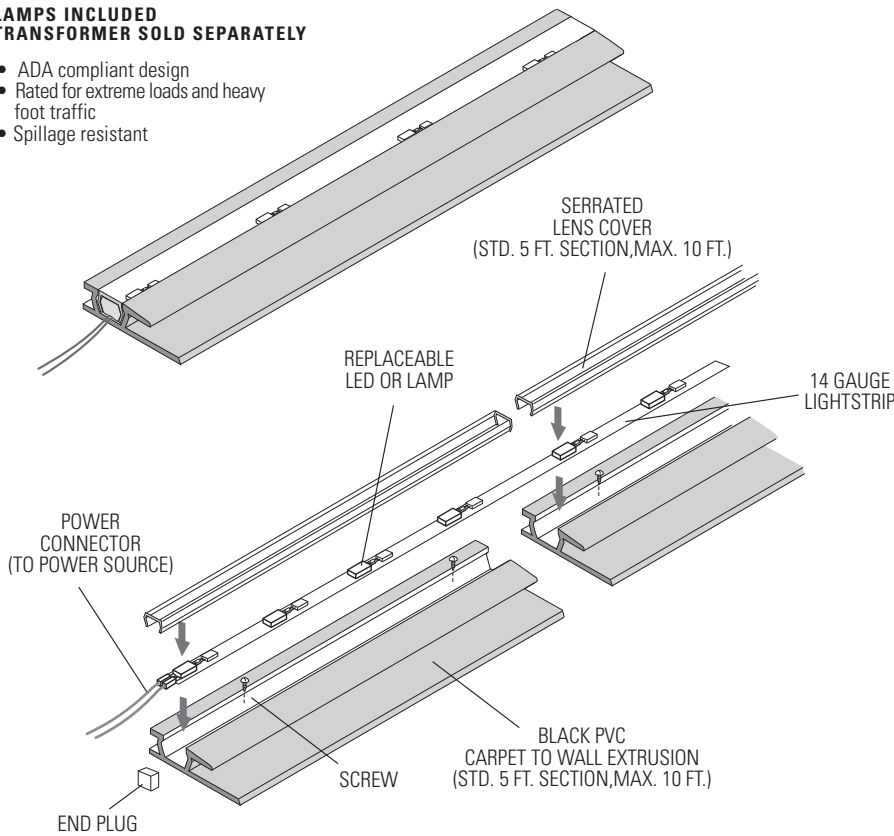
PH (562)•802•8811
(800)•233•3563
FX (562)•802•2882



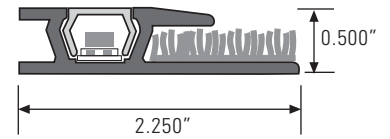
LF 2000

**LAMPS INCLUDED
TRANSFORMER SOLD SEPARATELY**

- ADA compliant design
- Rated for extreme loads and heavy foot traffic
- Spillage resistant



END VIEW



QUICK REFERENCE INSTALLATION INSTRUCTIONS

1. Screw mount extrusion sections.
2. Unroll lightstrip and lay into channel.
3. Strip end of lightstrip to attach power connector.
4. Insert end plugs at ends.
5. Snap in lens cover.
6. Connect to power source.

Do not exceed maximum run length per circuit. Extrusion, lens cover and lightstrip are available in pre-cut sections or can be field cut.

MAX. RUN PER CIRCUIT (5 AMPS)

LAMP TYPE	LAMP SPACING	
	6"	12"
LED	112 FT.	200 FT.
LF1	79 FT.	158 FT.

CELESTIAL LEDs & LAMPS ARE:

- Safe (low voltage)
- Energy efficient (low wattage)
- Rated for long life.
- Run at optimum brightness for darkened areas.
- Resistant to vibration from foot traffic.
- Individually replaceable.
- Dimmable from primary side of transformer.

•DRAWING NOT TO SCALE•

SPECIFICATIONS

PRODUCT CODE	LENS COLOR		LED / LAMP		LED / LAMP SPACING	
			TYPE	DESCRIPTION		
LF 2000	C	CLEAR	A	DC9.5V 0.2 W AMBER LED (100,000 HRS. RATED LIFE)	6 12	6" ON CENTER 12" ON CENTER
	A	AMBER	B	DC9.5V 0.2 W BLUE LED (25,000 HRS. RATED LIFE)		
	B	BLUE	G	DC9.5V 0.2 W GREEN LED (25,000 HRS. RATED LIFE)		
	G	GREEN	R	DC9.5V 0.2 W RED LED (100,000 HRS. RATED LIFE)		
	R	RED	W	DC9.5V 0.2 W WHITE LED (25,000 HRS. RATED LIFE)		
	S	SMOKE	LF1	12V 0.34W INCANDESCENT LAMP (80,000 HRS. RATED LIFE)		
				USE CLEAR LENS WITH LEDS		OR SPECIFY OTHER SPACING

EXAMPLE

LF 2000	-	C	-	A	-	6
---------	---	---	---	---	---	---

FILL OUT BELOW FOR SUBMITTAL

LF 2000	-		-		-	
---------	---	--	---	--	---	--

PROJECT NAME	CONTRACTOR
FIXTURE SCHED. TYPE	DISTRIBUTOR
SPECIFIER	REPRESENTATIVE



visit us at :
www.celestiallighting.com
e-mail :
info@celestiallighting.com

14009 Dinard Ave.
Santa Fe Springs,
CA 90670

PH (562)•802•8811
(800)•233•3563
FX (562)•802•2882